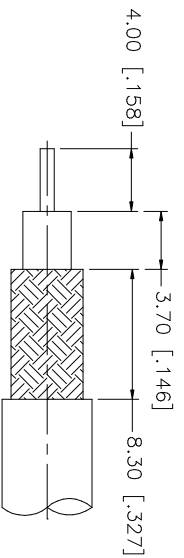
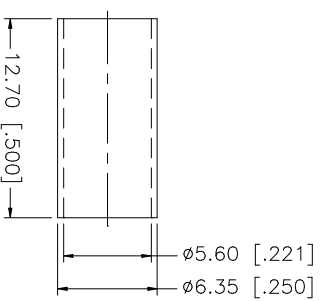
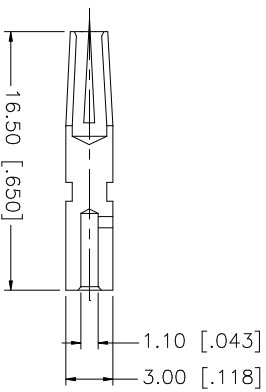
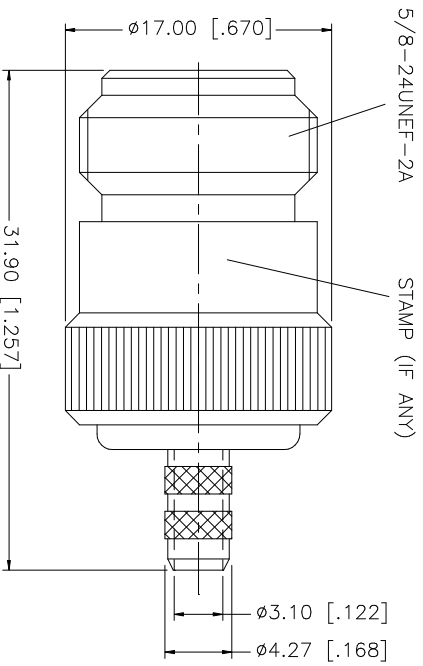


REV.	DATE	DESCRIPTION
A	07/21/99	REFORMAT DRAWING
B	11/12/99	MODIFY BARREL AND FERRULE DIMENSIONS
C	12/09/03	UPDATE DRAWING FORMAT



RECOMMENDED
CABLE STRIPPING DIM'S



- NOTES:
1. CRIMPED FERRULE
HEX. CRIMP SIZE .213"
 2. CRIMPED CONTACT PIN
HEX. CRIMP SIZE .100"

NO.	DESCRIPTION	MATERIAL	FINISH	QTY	UNLESS OTHERWISE SPECIFIED DIMENSIONS ARE INCHES AND FOR CUSTOMER REFERENCE ONLY. UNLESS OTHERWISE SPECIFIED TOLERANCES FOR MILLIMETERS ARE: 0.5 - 8mm ± 0.20mm 8 - 30mm ± 0.40mm 30 - 120mm ± 0.50mm UNLESS OTHERWISE SPECIFIED DIMENSIONS ARE IN INCHES AND FOR CUSTOMER REFERENCE ONLY. UNLESS OTHERWISE SPECIFIED TOLERANCES FOR INCHES ARE: .020 - .315 = ± 0.007" .315 - 1.180 = ± 0.015" 1.180 - 4.724 = ± 0.020"	DO NOT SCALE DRAWING	APPROVALS	DATE	PART DESCRIPTION					
8								<p style="text-align: center;">Amphenol Connex</p> <p style="text-align: center;">N CRIMP JACK - CAPTIVE CONTACT (RG 55/U, 142/U, 223/U, 400/U CABLE - 50ohms)</p>						
7														
6														
5	FERRULE	COPPER	NEXCOTE	1										
3	CONTACT PIN	PHOS. BRONZE	GOLD	1										
2	INSULATOR	TEFLON	NATURAL	1										
1	BODY	BRASS	NEXCOTE	1										
	DESCRIPTION	MATERIAL	FINISH	QTY										
					CAD FILE	C:/172/172147.DWG	DWG. NO.	172147.DWG	REV.	NC	SIZE	A	SCALE	NA